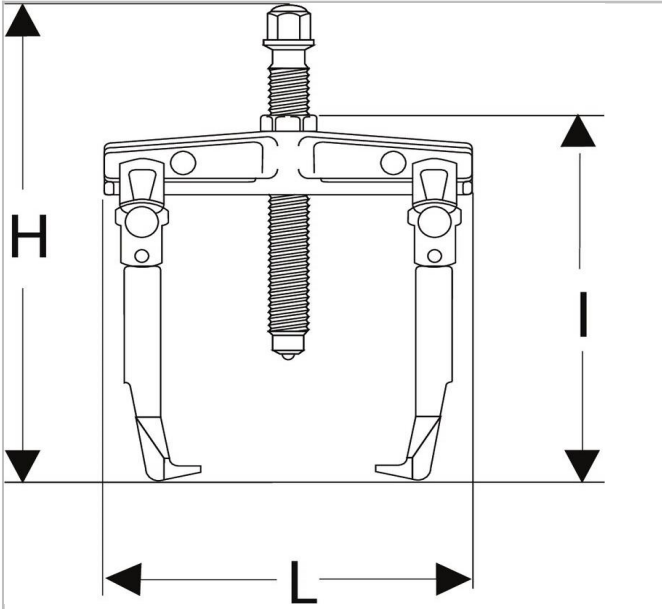



U.302-200 | U.302 - Self-gripping outside pullers with slim legs



Description:

- Comfort: self-gripping legs by return spring. The puller stays in rolling position even when not in tension.
- Adaptable puller accessories: slide hammer U.49AM. - Per tip U.301E1 (U.302 and U.302-150). - Per tip U.301E2 (U.302-200).



	U.302-200
Depth Maxi [mm]	200.0
Length L [mm]	105.0
Height H [mm]	300.0
C Mini - Maxi [mm]	25 - 200
Length [mm]	270.0
Hex Size [mm]	13.0
Screw Size ["]	U.301-04-200
Screw Size Multi [mm]	13.0
Tonnes ["]	2.4
t ["]	24.0
Weight [Kg]	1.6