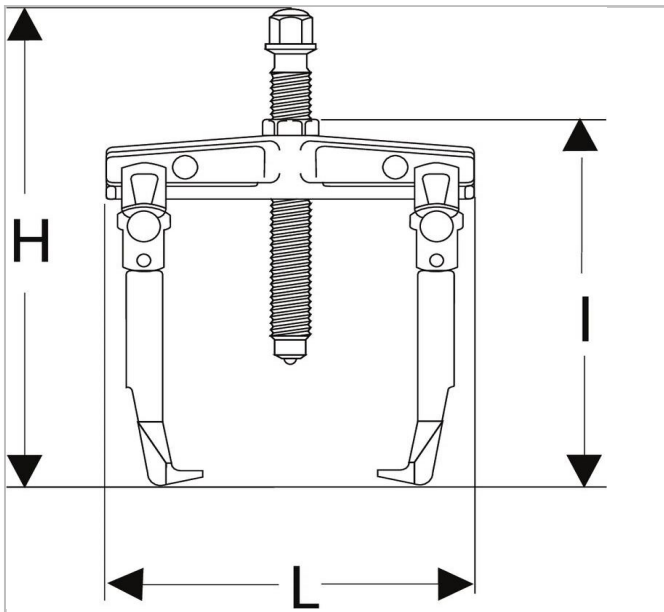



U.306-170N | U.306N - Inside pullers



Description:

- Versatile: takes 2 or 3 legs. Converts into outside puller with the legs U.306G1 + screw U.306-4 or legs U.306G10 + screw U.306-2 or legs U.306G15 + screw U.306-3 (supplied fitted with its extension).
- Comfort: self-gripping legs by return spring. The puller stays in rolling position even when not in tension.
- Safety: legs locked in position on the bearing using a knob. No risk for the puller to escape from the bearing.
- Shear pin: the pin shears if torque limit is exceeded. Supplied with 2 spare pins.
- Set of 3 spare pins. Refer to spares table according to puller power.
- Adaptable puller accessories: slide hammer U.306M (direct attachment) and beam U.40 (attached using ring and nut U.306A1 to be ordered separately).



	U.306-170N
Depth Maxi [mm]	190.0
Length L [mm]	135.0
Height H [mm]	320.0
C Mini - Maxi [mm]	50 - 170
Length [mm]	285.0
Hex Size [mm]	18.0
Screw Size ["]	U.306-2
t ["]	40.0
Weight [Kg]	1.8
Legs_Multi ["]	U.306G20
Screw Size Multi ["]	18.0
Tonnes ["]	4.0