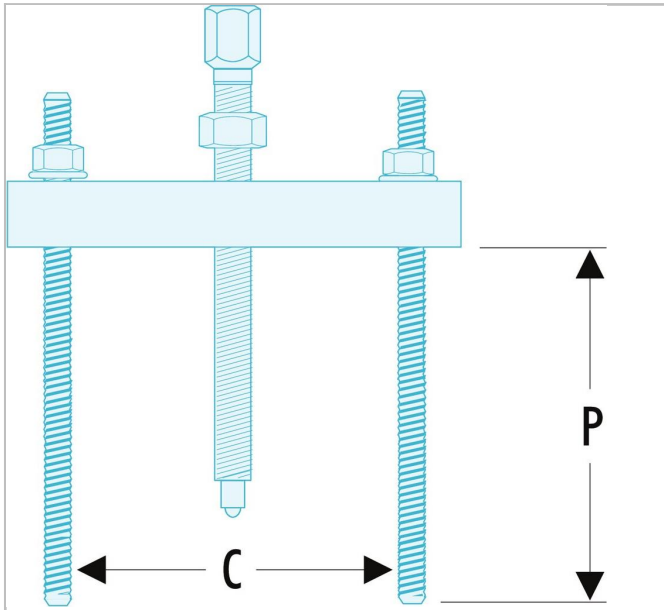



U.23K1A | U.23K-U.53K - Tapped beams



Description:

- Tapped beams are used in mechanical pulling with separators, spherical or threaded tips.
- Spread: \varnothing 25 to 400 mm.



	U.23K1A
Depth [mm]	100.0
Depth Maxi [mm]	100.0
Diameter [mm]	M10
Diameter D1 [mm]	8.0
Length L [mm]	110.0
Length L1 [mm]	155.0
Length L2 [mm]	20.0
Length L3 [mm]	20.0
C Mini - Maxi [mm]	25 - 95
Hex Size [mm]	8.0
Screw Size ["]	U.23K1A-02
Tonnes ["]	1.0
t ["]	10.0
Weight [Kg]	0.4