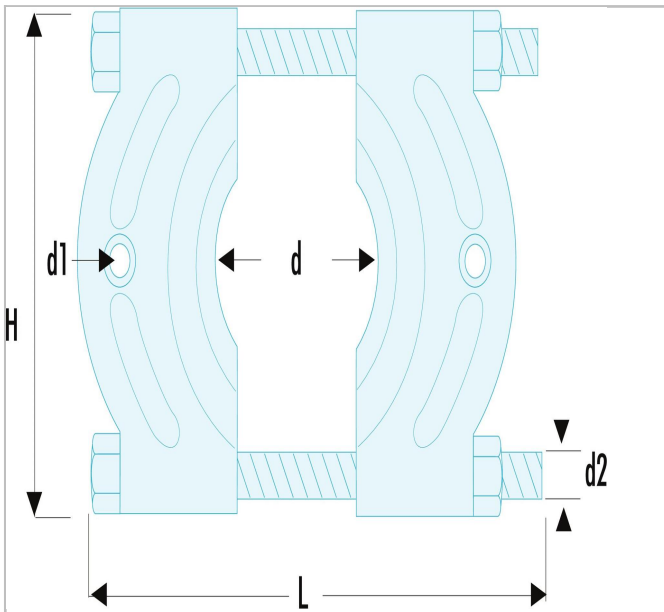



## U.53T3 | U.53T - Separators



### Description:

- Separators spread  $\varnothing$  5 to 250 mm.
- Fit behind races where ordinary puller claws will not reach.
- They can be used with beams assisted by screws or jacks.



	<b>U.53T3</b>
Diameter D Mini - Maxi [mm]	15 - 150
Diameter D1 [mm]	M20
Diameter D2 [mm]	M20
Length L [mm]	290.0
Height H [mm]	204.0
Screw Size ["]	U.53T3-02
Weight [Kg]	4.6