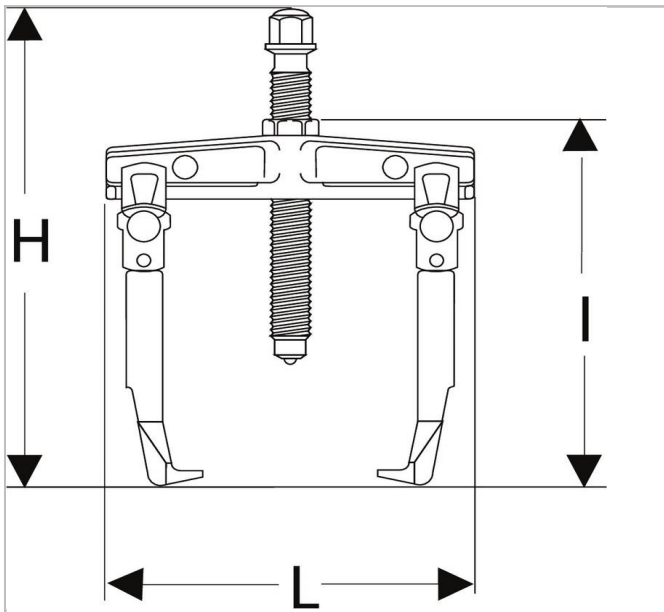



U.35P | U.35 - Pullers with outside wide legs



Description:

- Safety: use in "uncrossed legs" configuration doubles capacity, but the "cross-legged" configuration should be used preferably.
- Adaptable puller accessory: slide hammer U.306M for U.35 and U.35L.
- Set of 2 spare pins: - U.42-5J2 for U.35P. - U.35-5J2 for U.35 and U.35L.



 U.35P	
Depth Maxi [mm]	75.0
Length L [mm]	65.0
Height H [mm]	140.0
C Mini - Maxi [mm]	10 - 55
Length [mm]	110.0
Screw Size ["]	U.35P01
Tonnes ["]	1.0
t ["]	10.0
Weight [Kg]	0.4