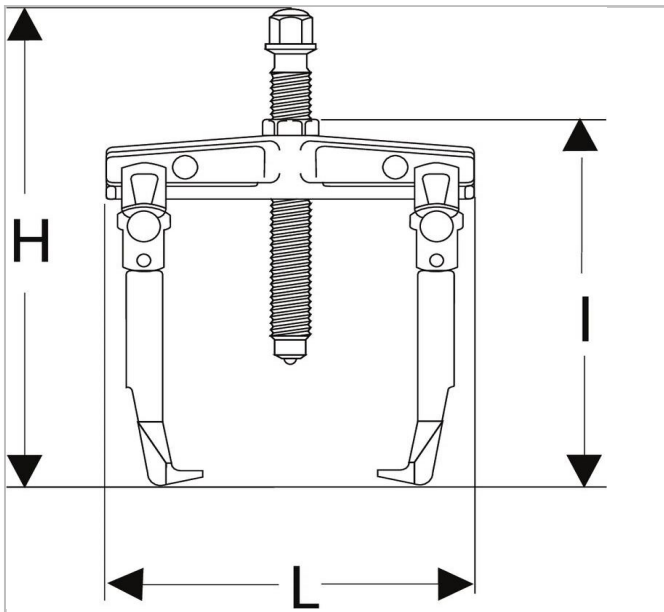



U.35 | U.35 - Pullers with outside wide legs



Description:

- Safety: use in "uncrossed legs" configuration doubles capacity, but the "cross-legged" configuration should be used preferably.
- Adaptable puller accessory: slide hammer U.306M for U.35 and U.35L.
- Set of 2 spare pins: - U.42-5J2 for U.35P. - U.35-5J2 for U.35 and U.35L.



|  | U.35 |
|--|---------|
| Depth Maxi [mm] | 90.0 |
| Length L [mm] | 68.0 |
| Height H [mm] | 183.0 |
| C Mini - Maxi [mm] | 15 - 75 |
| Length [mm] | 160.0 |
| Screw Size ["] | U.35SE1 |
| Tonnes ["] | 4.0 |
| t ["] | 40.0 |
| Weight [Kg] | 1.0 |