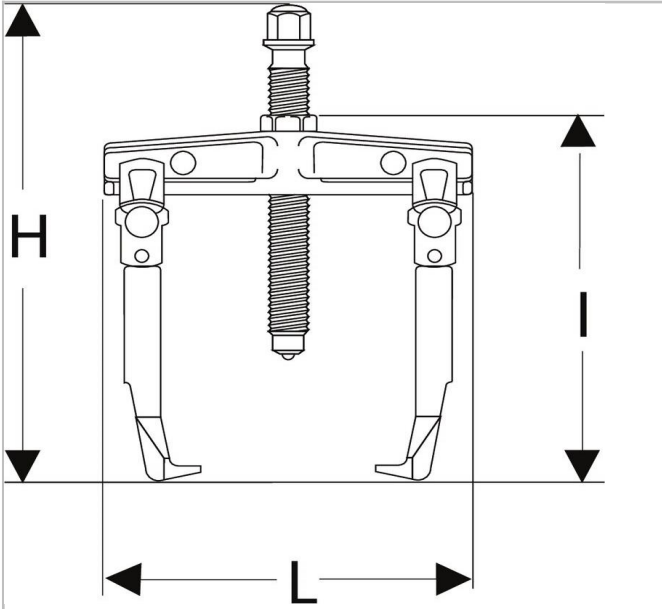



U.301-150 | U.301 - Self-gripping outside pullers with slim legs



Description:

- Access: 2 slim leg puller.
- Comfort: self-gripping legs by return spring. The puller stays in rolling position even when not in tension.
- Adaptable puller accessory: slide hammer U.49AM. - Per tip U.301E1 (U.301 and U.301-150). - Per tip U.301E2 (U.301-200).



|  | U.301-150 |
|--|--------------|
| Depth Maxi [mm] | 150.0 |
| Length L [mm] | 90.0 |
| Height H [mm] | 222.0 |
| C Mini - Maxi [mm] | 15 - 150 |
| Length [mm] | 206.0 |
| Screw Size ["] | U.301-04-150 |
| Screw Size Multi [mm] | 10.0 |
| Tonnes ["] | 0.9 |
| t ["] | 9.0 |
| Weight [Kg] | 0.7 |
| Hex Size [mm] | 10.0 |