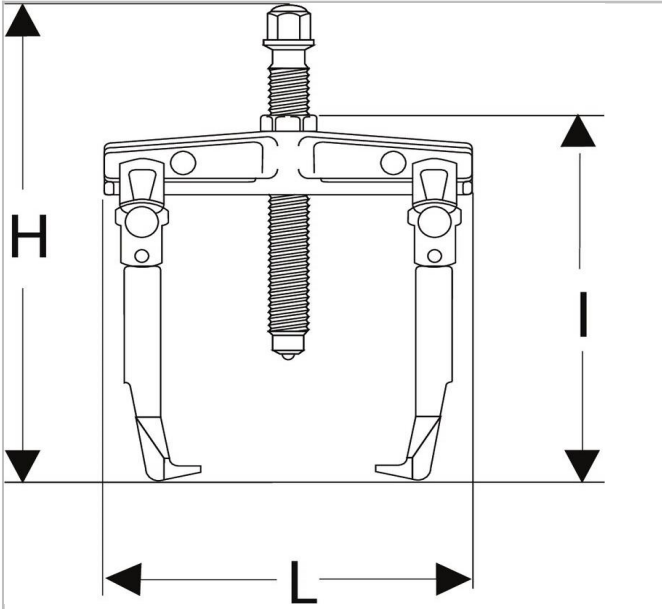



U.301-200 | U.301 - Self-gripping outside pullers with slim legs



Description:

- Access: 2 slim leg puller.
- Comfort: self-gripping legs by return spring. The puller stays in rolling position even when not in tension.
- Adaptable puller accessory: slide hammer U.49AM. - Per tip U.301E1 (U.301 and U.301-150). - Per tip U.301E2 (U.301-200).



	U.301-200
Depth Maxi [mm]	200.0
Length L [mm]	120.0
Height H [mm]	300.0
C Mini - Maxi [mm]	15 - 200
Length [mm]	268.0
Screw Size ["]	U.301-04-200
Screw Size Multi [mm]	13.0
Tonnes ["]	1.3
t ["]	13.0
Weight [Kg]	1.1
Hex Size [mm]	13.0