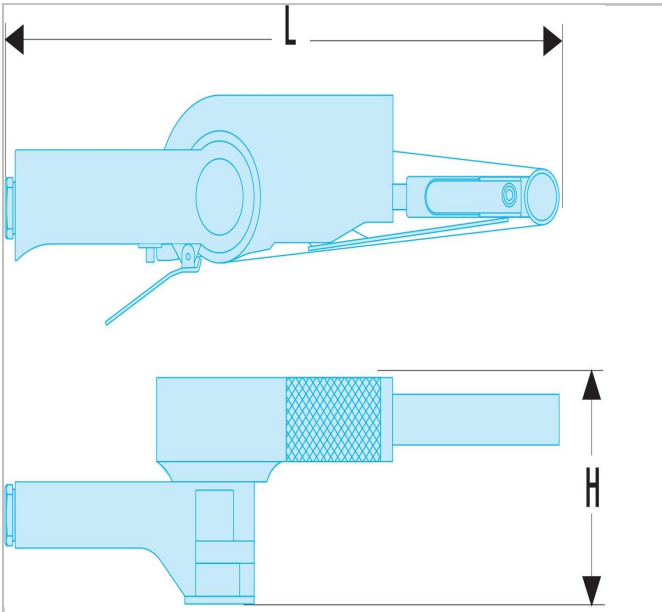



V.403F | High capacity belt sander - 20 x 520 mm



Description:

- Handle rotates enabling the operator to always have the best grip.
- Easy and fast changing of belts with the quick change arm.
- Feather teasing trigger for great control.
- Starter pack with tool delivered with 3 abrasives: 2 x P120 and 1 x P80.
- Long and Narrow 20 mm arm to get in the most confined spaces.



|  | V.403F |
|--|---------------|
| A [mm] | 360.0 |
| Height H [mm] | 93.0 |
| Length L [mm] | 350.0 |
| Vibration Level [m/s ²] | <2,5 (K=0,57) |
| Maximum Speed [rpm] | 16000.0 |
| Weight [Kg] | 16000.0 |
| Thickness E [mm] | 95.0 |