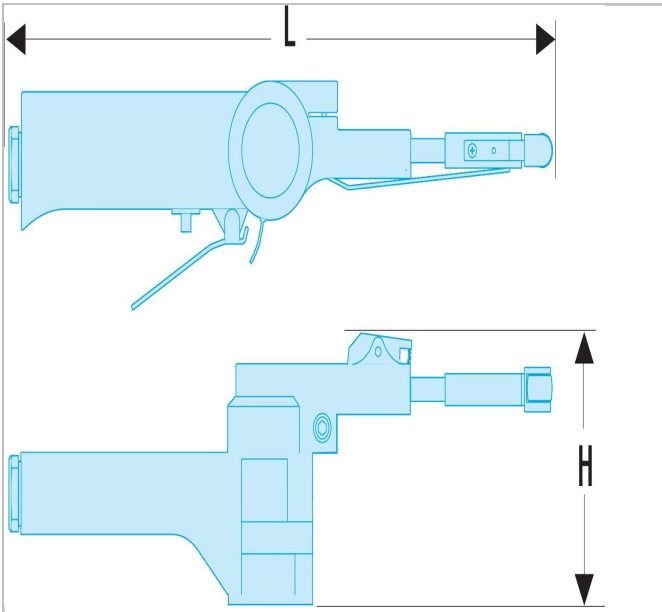



## V.402F | Belt sander - 10 x 330 mm



### Description:

- Handle rotates enabling the operator to always have the best grip.
- Easy and fast changing of belts with the quick change arm.
- Feather teasing trigger for great control.
- Starter pack with tool delivered with 3 abrasives: 2 x P120 and 1 x P80.
- Long and Narrow 10 mm arm to get in the most confined spaces.



 FACOM	V.402F
Height H [mm]	83.0
Length L [mm]	283.0
Vibration Level [m/s <sup>2</sup> ]	<2,5 (K=0,63)
Maximum Speed [rpm]	16000.0
Weight [Kg]	16000.0