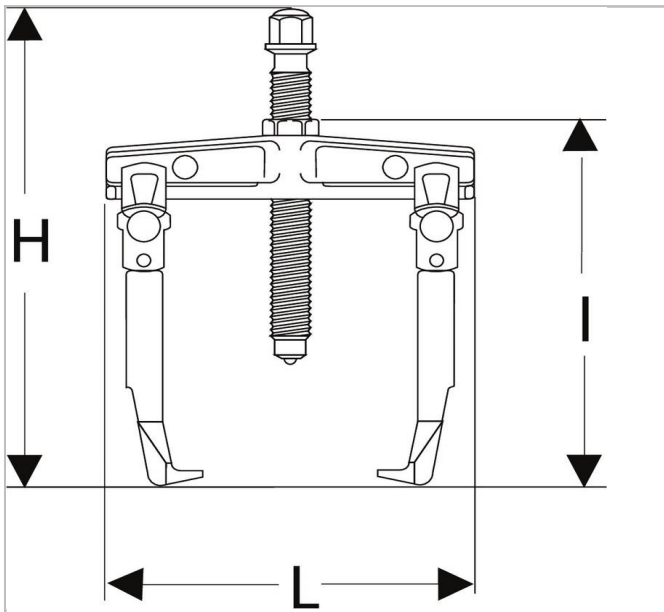



U.34 | High-capacity wide leg outside puller



Description:

- Safety: use in "uncrossed legs" configuration doubles capacity, but the "cross-legged" configuration should be used preferably.
- Adaptable puller accessory: slide hammer U.2.



	U.34
Depth Maxi [mm]	245.0
Length L [mm]	215.0
Height H [mm]	370.0
C Mini - Maxi [mm]	40 - 180
Length [mm]	315.0
Screw Size ["]	U.20B1
Tonnes ["]	7.0
t ["]	70.0
Weight [Kg]	4.4