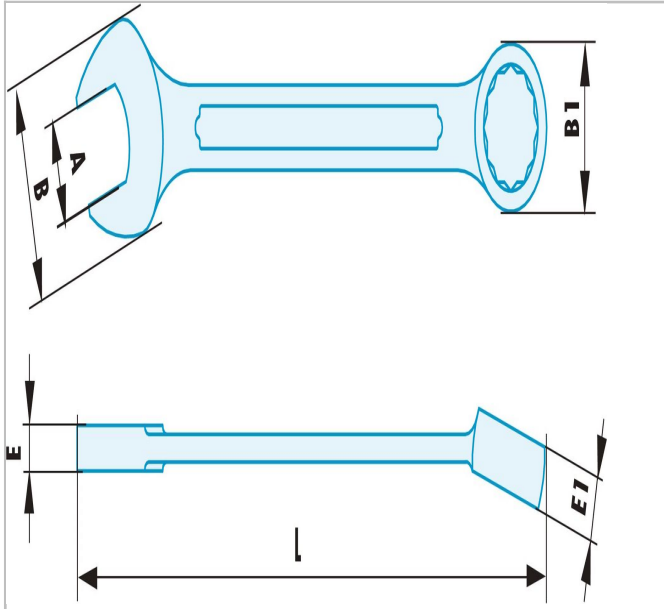



440.50SR | 440.SR - Non sparking metric combination wrenches



Description:

- Special non sparking and anti-magnetic Copper-Beryllium alloy.



	440.50SR
A [mm]	50.0
Length L [mm]	520.0
Thickness E [mm]	17.0
Thickness E1 [mm]	23.0
Head Width B [mm]	98.0
Head Width B1 [mm]	77.0
Weight [g]	2200.0