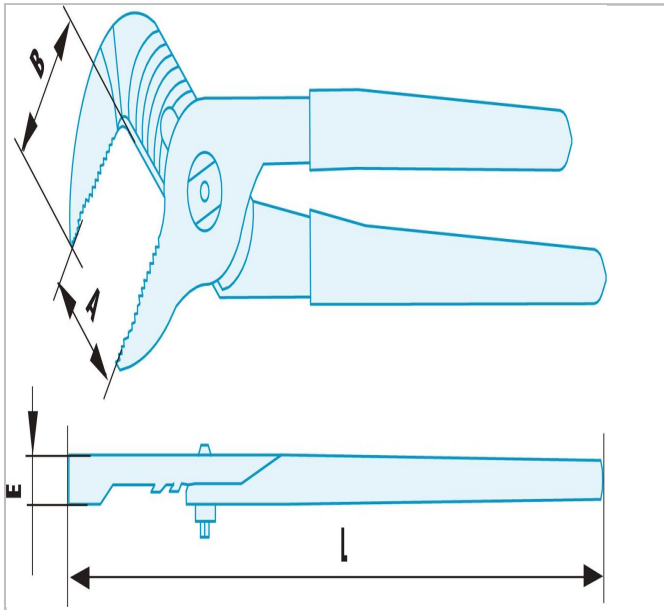



482.30SR | 482.SR - Non sparking multigrip pliers



Description:

- Special non sparking and anti-magnetic Copper-Beryllium alloy.
- For safety purposes, FACOM uses sheaths in overmoulded antistatic pvc to prevent any risk of sparks.



|  | 482.30SR |
|--|----------|
| A [mm] | 55.0 |
| Length L [mm] | 300.0 |
| Thickness E [mm] | 11.0 |
| Head Width B [mm] | 38.0 |
| Weight [g] | 745.0 |