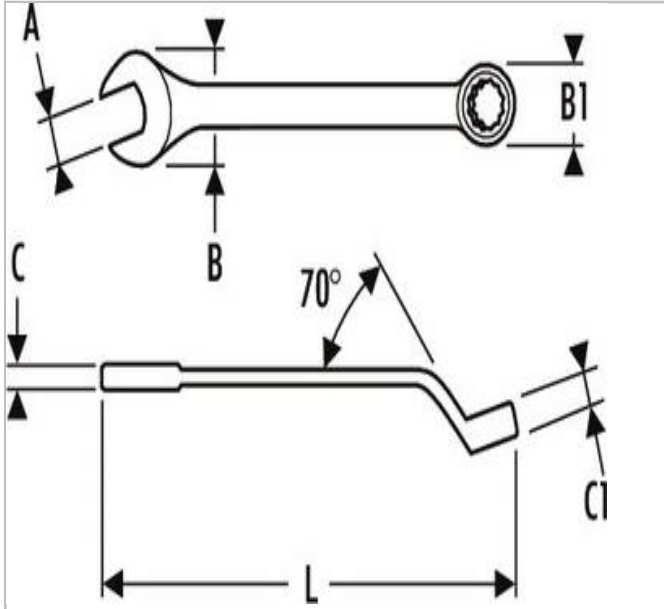



## E117728 | EXPERT Offset combination wrenches - Metric



### Description:

- ISO 691
- ISO 1711-1
- ISO 3318
- ISO 7738
- DIN 3113
- 12-point OGV® ring angled at 10°.
- Open end angled at 15° from handle axis.
- 12-point OGV® ring wrenches offset by 70° for better access to recessed nuts.
- Forged in Chrome Vanadium steel.
- High chrome finish.



	E117728
A [mm]	14
Length L [mm]	210.0
Head Width B [mm]	31.7
Weight [Kg]	0.089
Head Width B1 [mm]	21.5
Head Height C1 [mm]	9.0