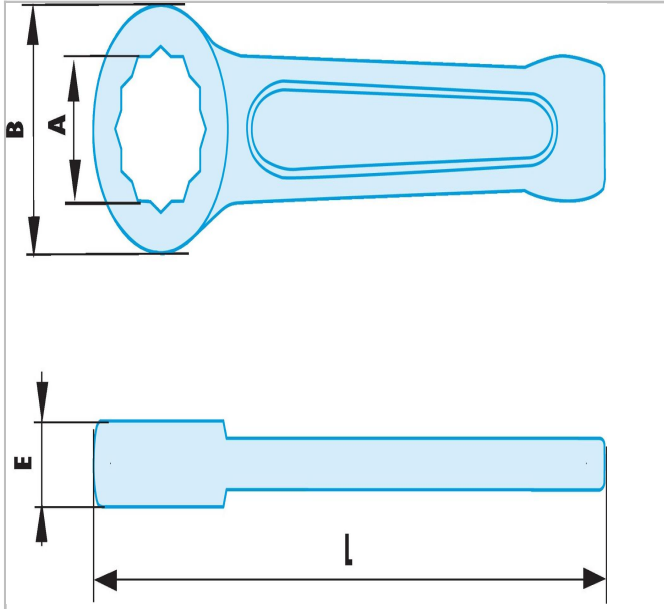



## 50.41SR | 50.SR - Non sparking metric impact ring wrenches



### Description:

- Special non sparking and anti-magnetic Copper-Beryllium alloy.



 50.41SR	
A [mm]	41.0
Length L [mm]	225.0
Thickness E [mm]	20.0
Head Width B [mm]	64.0
Weight [g]	755.0