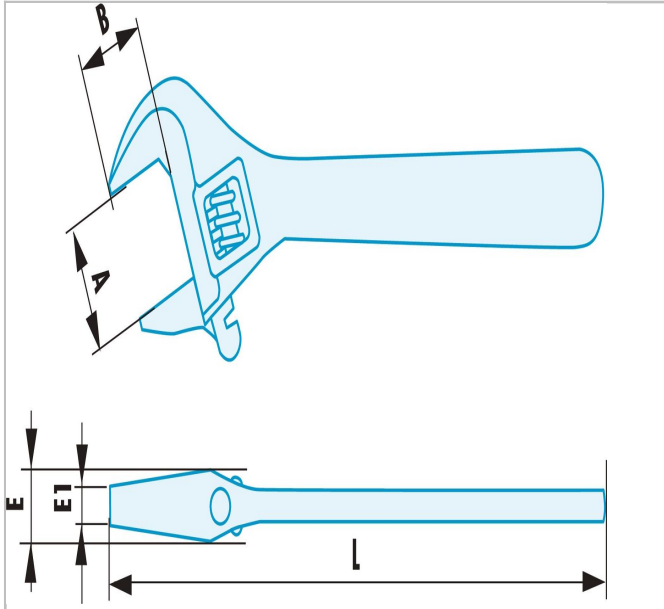



113A.6SR | 113A.SR - Non sparking adjustable wrenches



Description:

- Special non sparking and anti-magnetic Copper-Beryllium alloy.



	113A.6SR
A [mm]	18.0
Length L [mm]	150.0
Thickness E [mm]	10.8
Thickness E1 [mm]	8.0
Head Width B [mm]	18.0
Weight [g]	135.0